

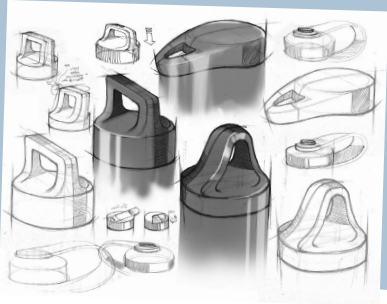
# PRODUCT DESIGN

**Curriculum Leader:** Tracy Mosley

**Primary Contact:** Ben Lowe



[blowe@heanorgate.derbyshire.sch.uk](mailto:blowe@heanorgate.derbyshire.sch.uk)



## SUBJECT SPECIFIC ENTRY CRITERIA:

Grade C in GCSE Resistant Materials or Engineering.

## KEY INFORMATION:

Product Design involves creating innovative products that solve real world problems. Learning will be based around project work which allows you to apply your knowledge and create your own style and strategies as a designer. Projects are based on themes such as furniture, lighting, sports equipment or architecture and students are given the opportunity to base their work on personal interests and to respond to the challenges with their own ideas. As well as learning to respond to challenges creatively you will also build your technical knowledge of materials and manufacturing techniques.



## POSSIBLE CAREER PATHS:

- Product/ Industrial Designer
- Architect
- Engineer



JOIN US AT

**HEANOR GATE SIXTH FORM**

